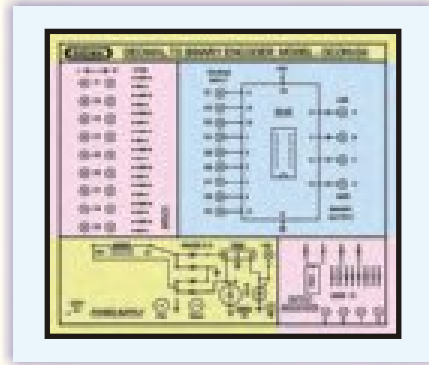




DECIMAL TO BINARY ENCODER

MODEL - DCONV04

This trainer has been designed with a view to provide practical and experimental knowledge of Decimal to Binary Encoder.



SPECIFICATIONS

1. Power supply requirement : 230V AC, 50 Hz.
2. Built in IC based regulated Power supply : 5V DC/200 mA.
3. Following parts provided on Single PCB with connecting terminals.
Decimal to Binary encoder IC 74147 - 1 No.
4. Logic output Indicators : 4 LEDs provided for output level indication.
5. High /Low switches : 8 Nos.
6. Standard Accessories : User Manual with practical and circuit diagrams.

In keeping view of SIGMA policy of continuous development and improvement, the Specifications may be changed without prior notice or obligation.

Sigma Trainers
E-103, Jai Ambe Nagar,
Near Udgam School, Thaltej,
AHMEDABAD - 380054.

Phone : 079-26852427 / 26767512
Fax : 079-26840290 / 26759661
ISDN : 079-26859162 / 26853758
Email : sales@sigmatrainers.com
: sigmatrainers@sify.com
Web : www.sigmatrainers.com

Dealer:-